

Installation instruction

Ritter Amplification

Camper 212 GFR Speaker Kit

Table of content :

1. Introduction
2. Preparation
3. Recommended tools
4. Let's start
5. Installation of the back plate
6. Wiring the speakers
7. Applying the new label on the terminal plate (option)
8. Congratulations !

1. Introduction

Thank you very much for purchasing the Camper 212 kit !

With this kit you will be able to build your own high quality guitar flat response speaker cabinet.

The Camper 212 cabinet is designed for the use with guitar profiling or modelling gear, where the speaker profile / model will remain part of the overall sound experience.

The frequency range of the Camper 212 cabinet is quite large and linear.

We do not recommend to use it as a guitar speaker cabinet directly driven by a traditional valve amplifier, because its extended upper frequency range will lead to rather harsh sounding distortion sounds.

The Camper 212 is designed to leave the smallest possible footprint on the overall sound as possible.

A traditional guitar speaker leaves a very large footprint on the overall sound. Such speakers act like a low pass filter and will filter many of the higher frequencies out of the sound. In the traditional tube world, this is a good thing, because higher frequencies generated by distorted guitar sound will sound harsh, if they are smoothed and even taken out of the sound.

The Camper 212 cabinet will leave those higher frequencies intact, so that different traditional guitar speaker models / profiles can be heard completely.

The 212 cabinet is especially useful for classic electric guitar sounds. Since the Camper 212 cabinet is designed to leave a very small footprint on the overall sound, you will be able to listen to different speaker profiles or models as they were profiled or modelled by the gear you use to shape your guitar's sound.

2. Preparation

To install the kit into the Palmer 212 unloaded **open back !** cabinet you will need some basic mechanical skills, several tools and some work space.

If you feel you do not have the tools, the skills or the work space, please do not attempt to install this kit yourself.

You can order the Camper 212 cabinet completely built and finished for a reasonable surcharge from us.

OK, lets do it !

- Make sure you have some flat work space available on which you can put the cabinet onto. A 1,5 x 0,6m workbench would be perfect.
- Unpack the Palmer 2x12" unloaded cabinet and take the cabinet out of the plastic bag.
- Palmer will provide a set of screws for mounting the two 12" speakers. Sometimes the small bag with these screws is a little hard to find inside the large box. Please make sure you find this bag ; you will need these screws later in the process.
- Unpack our Camper 212 kit and check all of its components.

Our Camper 212 kit will include :

- 2 x 12" double cone broad band speaker
- 16 pieces 4,5mmx27mm flat head chipboard screws for panel mounting
- back plate with venting holes
- mounting plate



– terminal plate label



www.ritteramps.com

3. Recommended tools

- short screwdriver Philips 2 (PH2) or cordless screwdriver



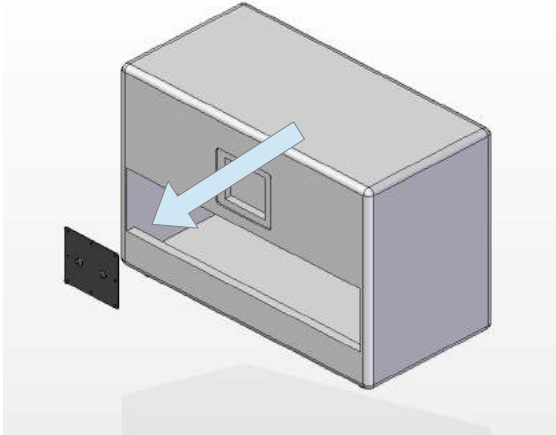
If you want to apply the new label on the terminal plate, you will need some :

- paper towels
- technical alcohol
- a little bit of water
- soap
- squeegee or credit card

4. Let's start

Firstly, unscrew the 6 screws that hold the terminal plate and remove the terminal plate from the Palmer cabinet.

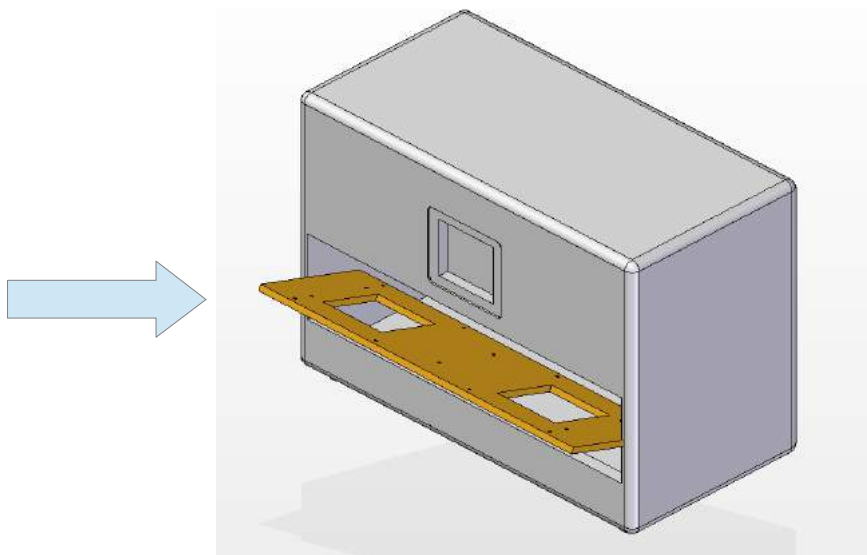




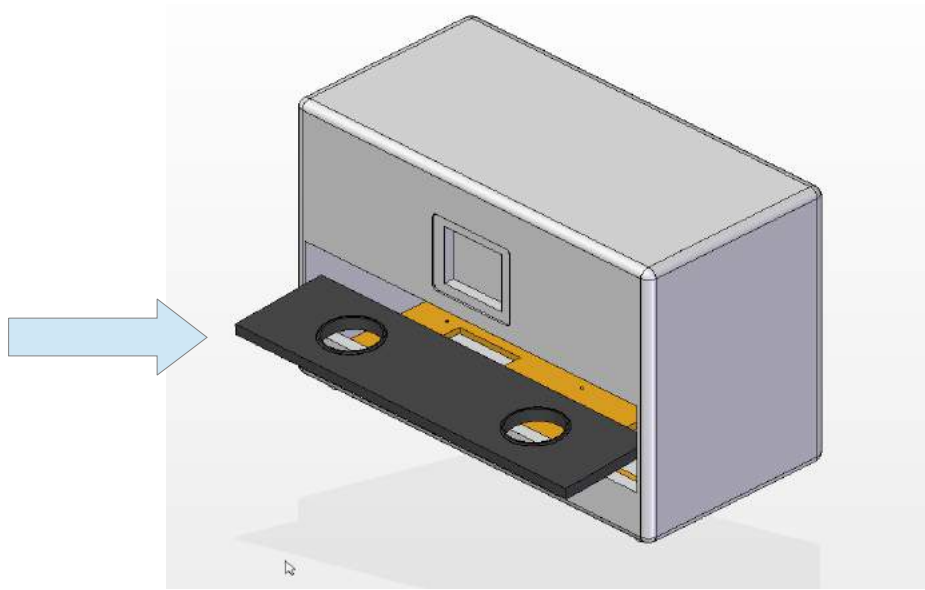
5. Installation of the back plate

If you haven't done already, please remove dust and splinters from the inside of the cabinet now.

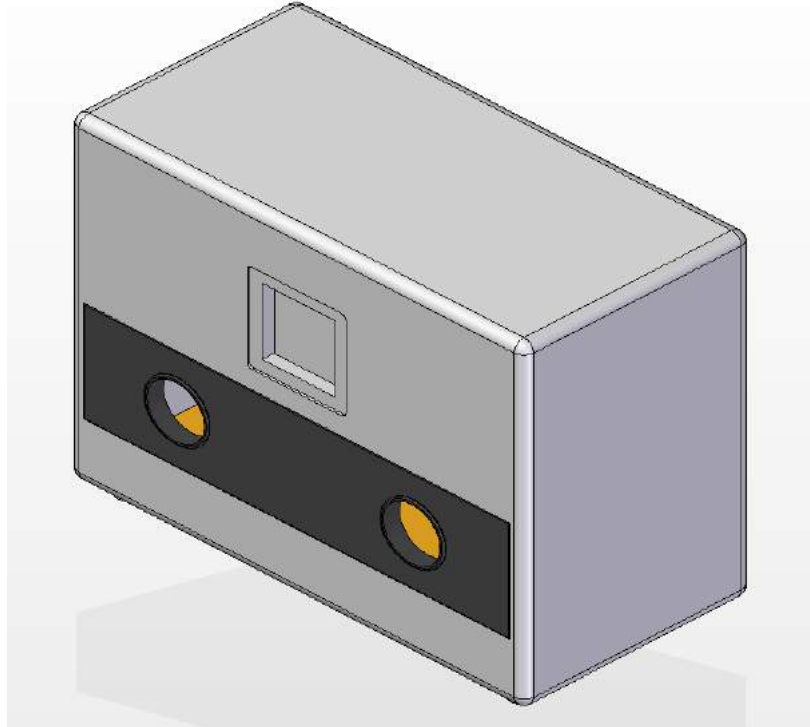
- Put the mounting plate into the Palmer cabinet first.



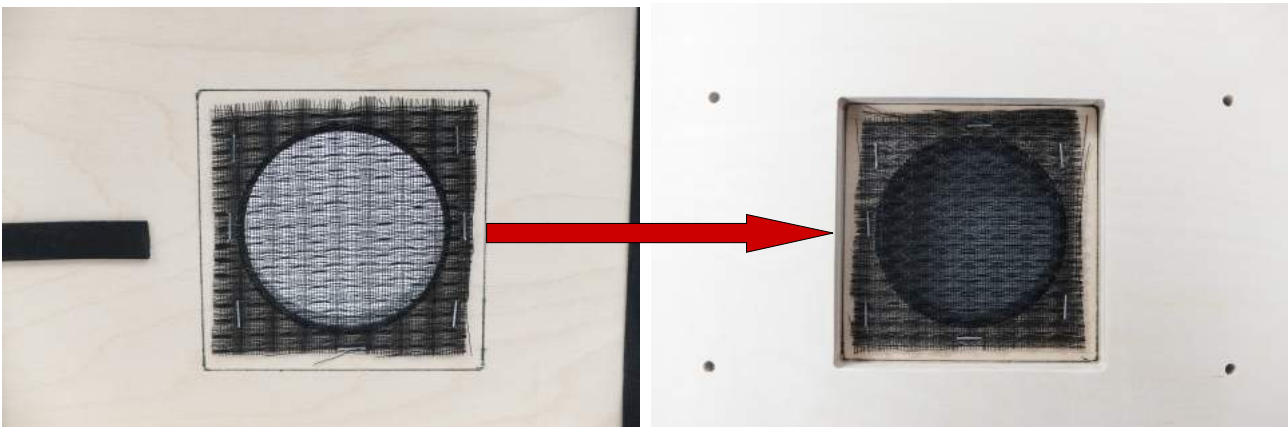
- Put the back plate into the Palmer cabinet secondly.



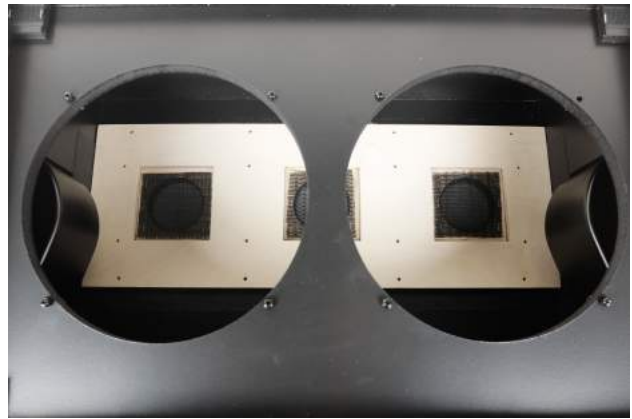
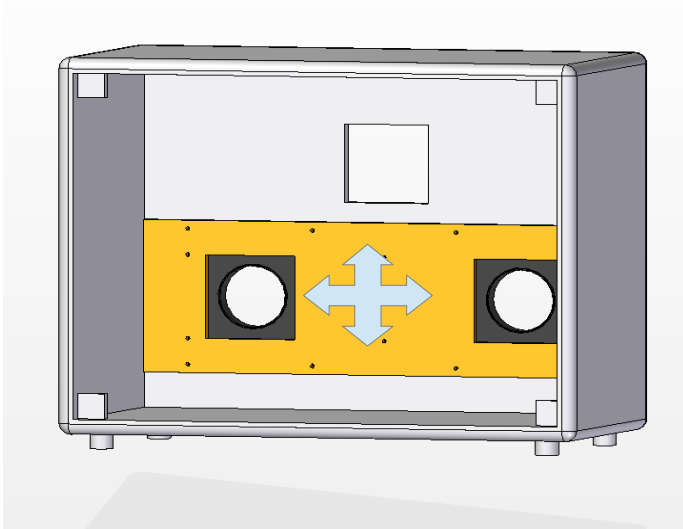
- Push the back panel into the opening of the Palmer cabinet.



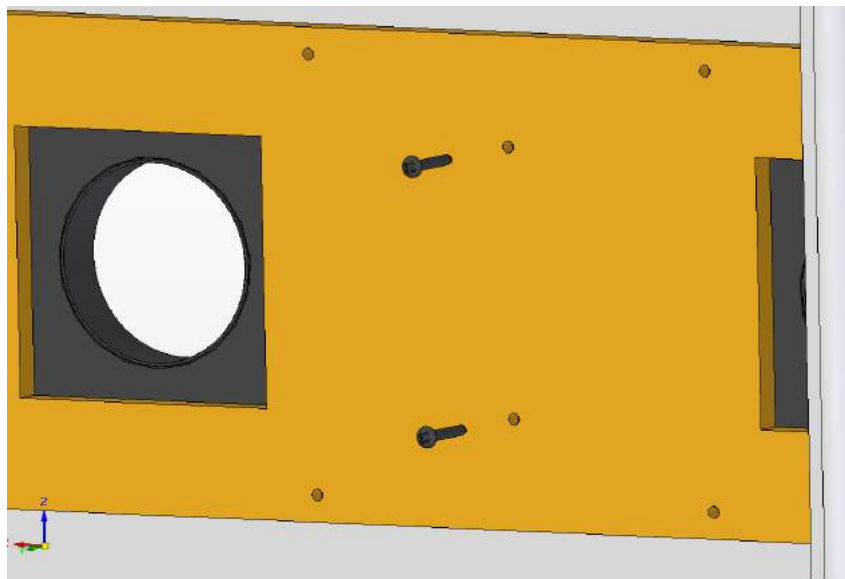
- Press the mounting plate to the inner wall of the cabinet and align it to the back plate.
- Use the markings we made on the back plates inner surface to align both plates to each other.



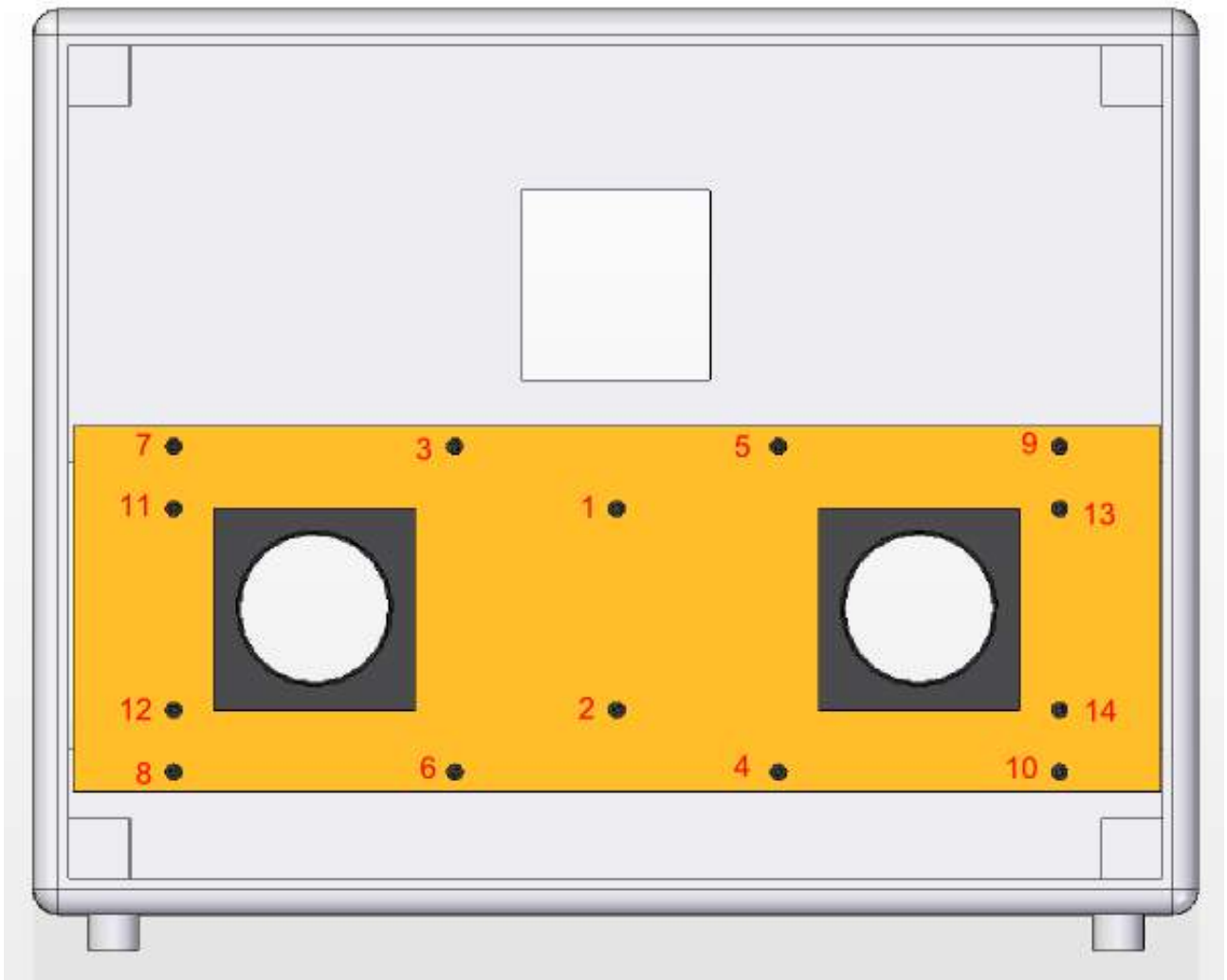
Align markings to
rectangle shaped cut outs
of the mounting plate.



Once the mounting plate is aligned with the markings on the back side of the back plate, screw in the first two 25mm chipboard screws. I recommend to start with the vertically aligned two screws in the middle of the mounting plate.



You can tighten the screws in the order shown below :



You will need a short PH2 screwdriver or cordless screwdriver to be able to tighten the screws 3-14.



Tighten all screws until there is no gap left between the mounting plate and the inner back side of the cabinet and the back plate is in place. The back plate should align perfectly with the outside of the Palmer cabinet.

6. Wiring the speakers

Reinstall the terminal plate



Put the Palmer cabinet on it's back side place the first speaker ion the right side of the baffle. Connect it's terminals with the cable, coming from the right side of the terminal plate as shown below.



Connect the copper coloured wire to the + and the silver coloured wire to the - marked terminal of the 12" speaker.

The same rule applies to the second 12" speaker.





Align the speakers to the holes and use the provided screws to tighten them.

7. Applying the new label on the terminal plate (optional)

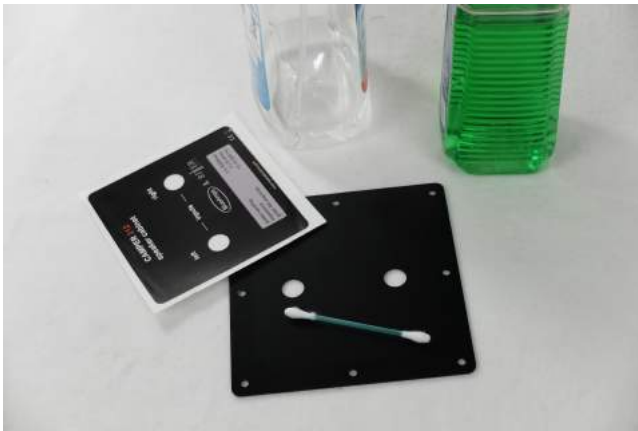
I think it is a good idea to apply the new sticker to the former back side of the terminal plate.

Please disassemble both 1/4" jacks from the terminal plate. Flip the terminal plate to the side where no silk screen printing has been applied by Palmer.



Clean the surface with some alcohol and a paper towel to remove fingerprints and other dirt from it.

Prepare some water, a piece of soap or liquid soap, a squeegee and the new label.



Damp the soap with some of the water and cover the complete surface of the terminal plate with a thin film of soaped water.



Peel the white paper backing off the sticker.



Slowly lower the sticker onto the surface and rub it in place firmly with a squeegee or credit card.

Rub the sticker until no soap water is pressed out of the area between the sticker and the plate.



If the sticker moves, you can hold it in place by sticking one fingertip into one of the jack holes.

After a while, the sticker will not move any more and will hold tight to the plate with no air bubbles between the sticker and the plate.

8. Congratulations !

That was easy, wasn't it ? :-)

Put the grill cloth frame back into position and start to play guitar !

